

- Back**
- o PushPull Power
 - o Flat Cable Connectors SEK
 - o *har-mik®*
 - o D-Sub
 - o InduCom

- **Applications**

Product details

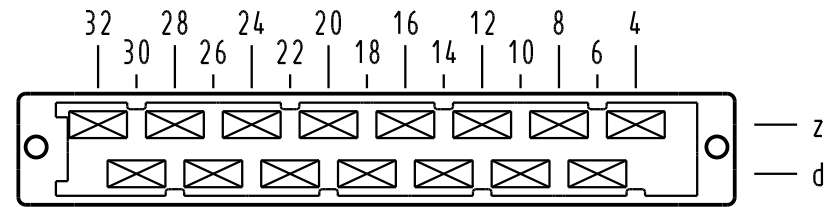
09 06 215 2821

Backplane connector

Type	Type H
Standard/Inverse	Standard
Contact gender	Female contacts
Size	Whole size
Number of contacts	15 poles
Contact arrangement	Rows z and d
Termination	Straight solder pins
Termination length	4.0 mm
Performance Class	Performance level 1 as per IEC 60603-2
Contacts	with contacts
Terminal finish	Silver plated
Board fixing	Without fixing
Current	15 A max.
Clearance/ Creepage	4,5 / 8,0 mm min.
RoHS compliant	Yes

Inquiry

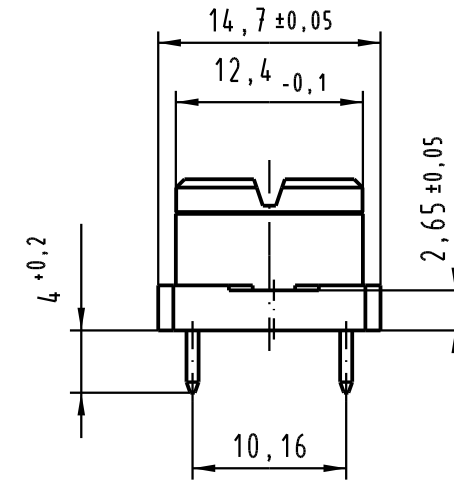
X Kontaktanordnung / contact arrangement



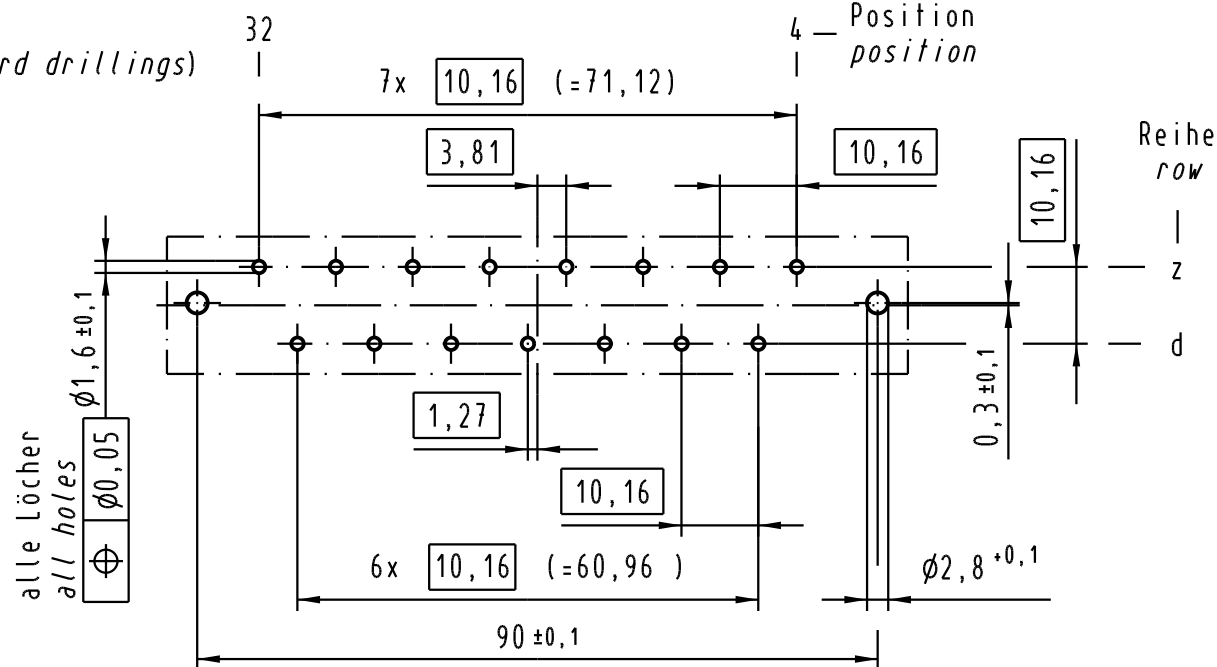
15 Kontakte
15 contacts

- = Kontaktposition belegt
= position with contact
- = Kontaktposition nicht belegt
= position without contact

Z
2:1

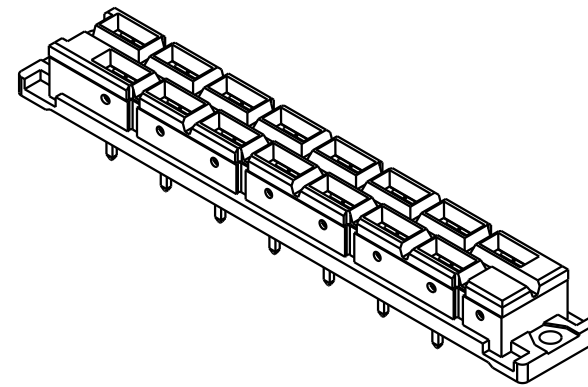
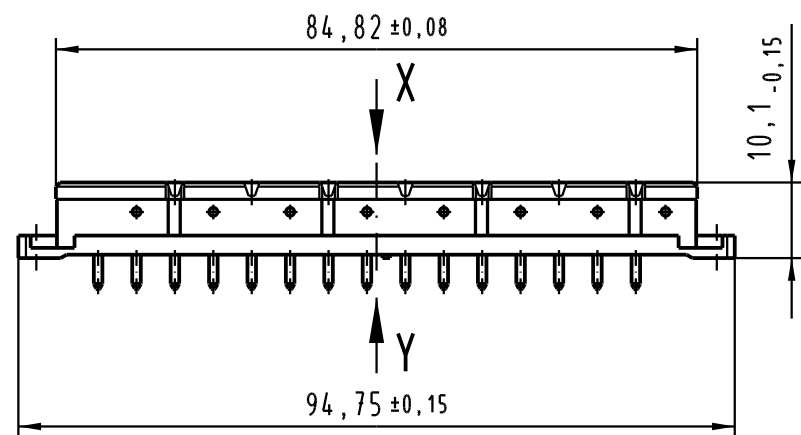


X (Lochbild / board drillings)

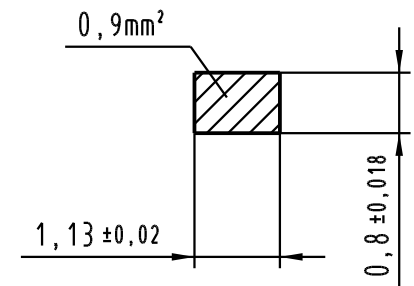


alle Löcher
all holes
φ1,6 ± 0,1
φ0,05

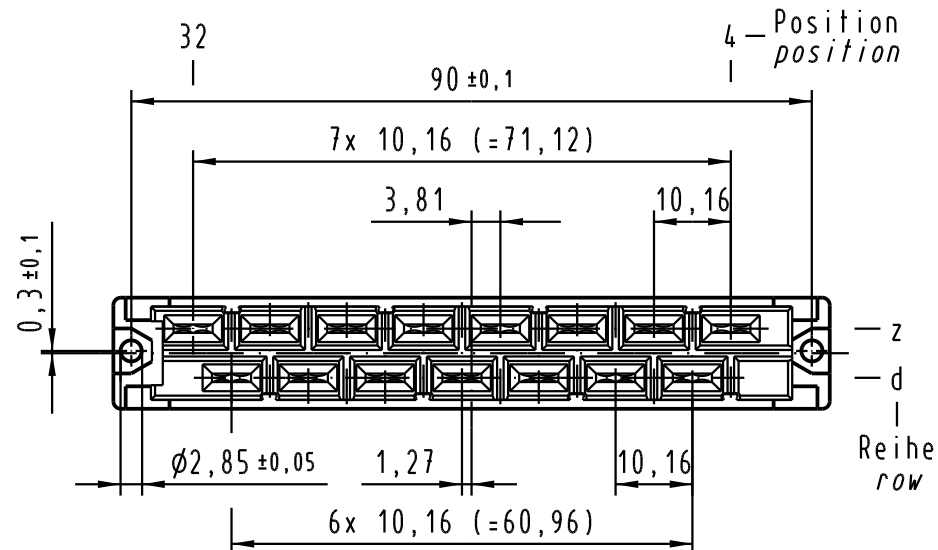
Reihe
row
z
d



Y
10:1
Querschnitt der Lötanschlüsse:
cross-section of solder terminations:



Kontaktfläche Ag
contact plating Ag



Reihe
row
z
d

Alle Rechte vorbehalten / All rights reserved

All Dimensions in mm Original Size DIN A 3		Techn. Character. IEC 60603-2		Nicht tolerierte Maß / Free size tolerances IEC 60603-2	
32581	21.02.05	Leh.			
32041					
Mod.	Dat.	Name	HARTING Electronics GmbH & Co. KG D-32339 ESPELKAMP		
			Maßstab / Scale 1:1 2:1		Bauform / type H 15 low profile Federleiste Einlöt 4,0 female connector solder 4,0
			TB 09 06 215 2821		Blatt / page
			Sub. 09 06 215 2821 Mod. 5080 v. 29.07.88		